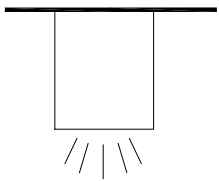
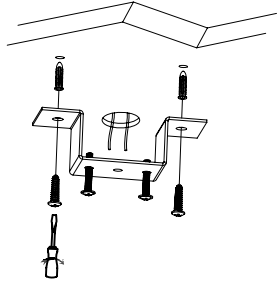
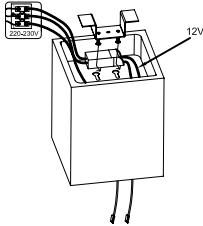
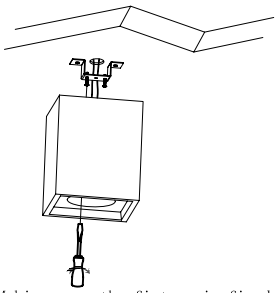
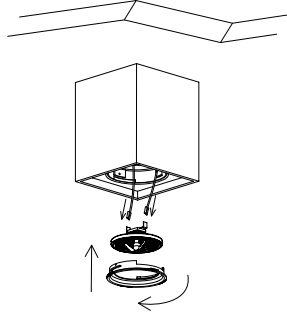
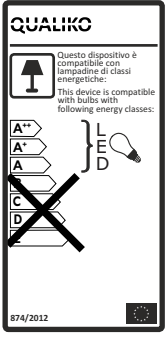


CUBE

	<p>1</p> 	<p>2</p> 
<p>3</p>  <p>Making sure the fixture is fixed firmly , then stop locking screws.</p>	<p>4</p> 	 <p>QUALIKO</p> <p>Questo dispositivo è compatibile con lampadine di classi energetiche:</p> <p>This device is compatible with bulbs with following energy classes:</p> <p>A++ A+ A C D</p> <p>LED</p> <p>874/2012</p>

Adatto a moduli LED in bassa tensione
Suitable for low voltage AR111LED modules

Gypsolyte®